

Mi Series Megapixel IP Camera



Driving IP-based physical security
through global standardization

VD101SMi Indoor Dome

H.264 / M-JPEG Dual Mode, 1.3 Megapixel Sony CMOS Sensor, Day/Night, Night Vision with IR LED's(VD101SMi-IR), IPv4 & IPv6 Compatible

Model: VD101SMi / VD101SMi-IR (Night Vision)



The Vision Mi Series IP Camera is designed for any networked surveillance application. Megapixel Resolution combined with state-of-the-art features sets it apart from other network cameras on the market today.

The VD101SMi provides high definition 720p IP video for the most critical video surveillance applications.

Features

- 1.3 Megapixel 1/3" SONY progressive scan CMOS image sensor for excellent image quality
- Tool-free 3-Axis module for perfect visual alignment
- Patented intelligent IR technology (VD101SMi-IR)
- Extended IR life cycle (VD101SMi-IR)
- Dual Streaming of H.264 and M-JPEG
- Up to 30 frames per second in all image resolutions
- Supports image resolutions up to HD(720p) (1280x720)
- IPv4 & IPv6 compatible
- Integrated motion detection with pre- and post-alarm image/video buffering
- Event-triggered FTP and email upload of still images and videos
- Digital PTZ



Product info support@visionhitech.co.kr
Marketing vht@visionhitech.co.kr

- UPnP supported
- Micro SD Local storage, event triggered, scheduled and continuous recording supported
- 1 Port analog video loop-out port
- Terminal block for external sensor devices
- Supports CBR (constant bit rate) and VBR (variable bit rate) modes
- Controllable frame rate
- Video access through any standard Web browser
- Privacy Masking up to 4 areas
- Integrated HTTP Web server supporting 50 simultaneous user connections
- HTTPS supported (Hyper Text Transfer Protocol Secured)
- Integrated E-Mail, FTP, DDNS and DHCP client
- Extensive CGI API for software integration and remote programming operations
- Including Windows based IP Installer and NVR(Network Video Recorder) software for up to 16 channels

Specifications

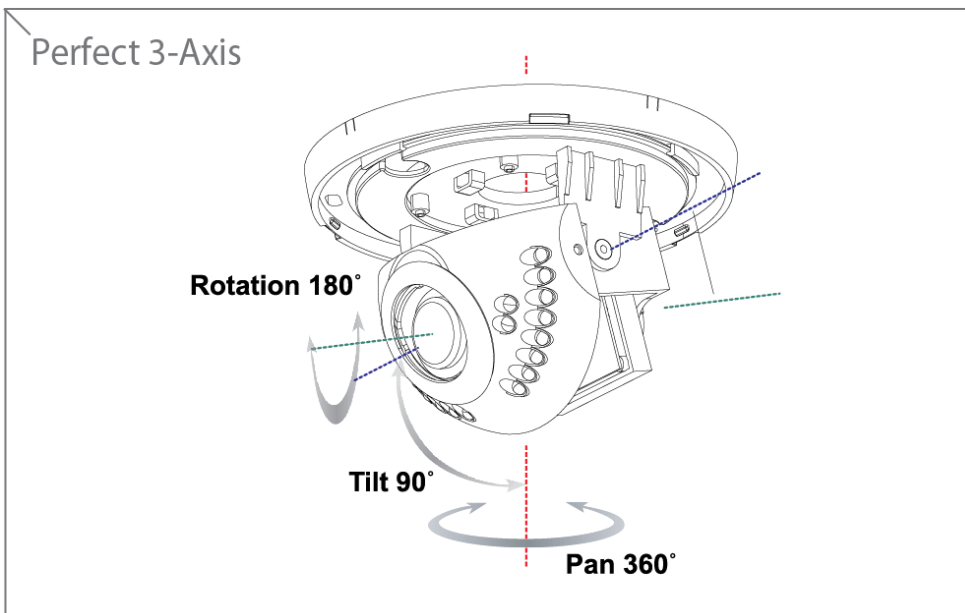
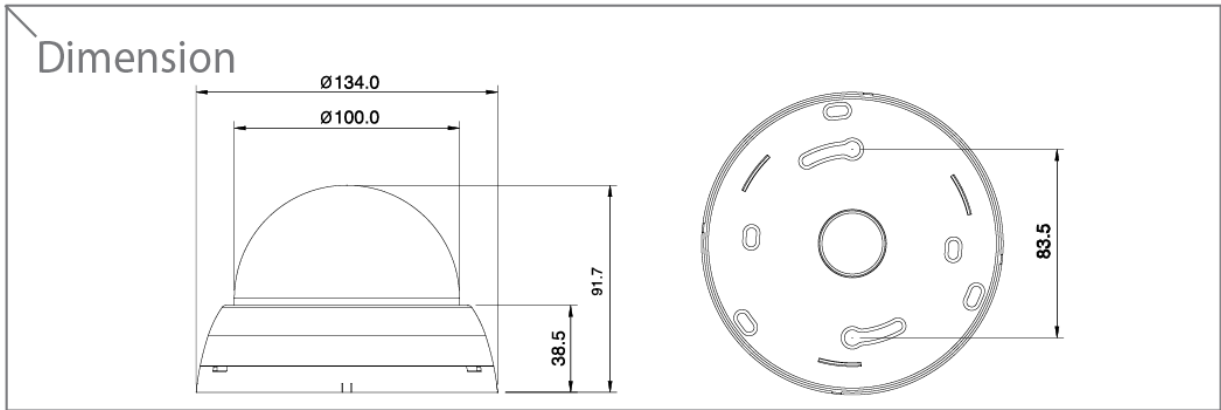
Classification		Specification	
		VD101SMi	VD101SMi-IR
General	CPU	32-bit ARM9 RISC CPU up to 533MHz, 32KB I/D-Cache, MMU	
	Video Buffer	16Mbyte Video Frame Buffer	
	Flash	16 Mbyte Flash Memory	
	SDRAM	256Mbyte	
Image Pickup	Image sensor	1.3 Megapixel 1/3" SONY progressive scan CMOS image sensor	
	Total Pixels	1384(H) x 1076(V) 1.49 Megapixel	
	Effective Pixels	1329(H) x 1049(V) 1.39 Megapixel	
	S/N Ratio	More than 50dB	
	Min. Illumination & IR Distance	0.5 Lux with DSSX2 (F1.2, 30IRE, AGC On)	0Lux (IR On) 30M (Built-in IR LED's)
	Lens	3.7mm Megapixel Board Lens	
Video	Video compression	H.264 baseline profile, Motion JPEG	
	Resolutions	Up to 720p (1280 X 720)	
	Frame rate	H.264 Up to 30fps at HD(720p)	
		MJPEG Up to 15fps at VGA (Simultaneous dual stream)	
	Video streaming	MJPEG single stream up to 30 fps at HD(720P)	
		Support multi stream with H.264, MJPEG	
		Adjustable frame rate	



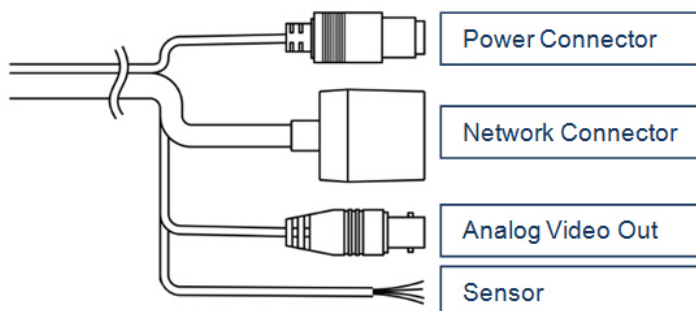
		VBR/CBR in H.264	
	Pan/Tilt/Zoom	Digital PTZ	
	Image setting	Day & Night	
		Auto White Balance	
		Auto Exposure	
		Privacy Mask	
	Effect - Color, Sharpness, Mirror/V-Flip, etc.		
Output	BNC x1, 1.0Vp-p, 75 ohm Composite Video, NTSC/PAL		
Network	Security	Password protection	
		User access log	
		HTTPS encryption	
	Supported protocol	HTTP, HTTPS, FTP, SMTP, UPnP, DNS, DynDNS, NTP	
RTSP, RTP, TCP, UDP, ICMP, DHCP			
System integration	Intelligent video	Motion detection up to 1280x720 with 32x24 blocks	
	Alarm trigger	Motion detection	
		External input/Normal Open/Close Type	
	Alarm events	File upload via ftp, e-mail	
		Notification via email, FTP and TCP	
	Video buffer	16MB pre-alarm and post-alarm	
	Recording	Save to Micro SD card with event mode and continuous mode	
	Firmware upgrade	Remote upgrade via network	
API	CGI Interface document		
	ActiveX Interface(ocx(dll) + document)		
etc	RESET Button	1 x Factory Reset Button	
Physical	Power Source	DC 12V/1.5A, PoE(Power over Ethernet): 802.3af	
	Power Consumption	Max. 5.5W	Max. 7.2W with IR On
	Net Weight	520g Appr.(Camera Only)	
	LED's	Power, Network Connection	
	Dimension	134(Ø) x91.7(H)	
Environment	Operating Temperature	-25 degree~50 degree Celsius (-13F~122F)	
	Storage Temperature	-25 degree~60 degree Celsius (-13F~140F)	
Software	Included Software	NVR Lite (16 Channel), IP Installer (Windows Only)	
Package	Package Contents	Network Camera, User Manual, External Power Adaptor(option), Software CD	

■ Specifications are subject to change without prior notice to enhance performance and stability

Dimension



Connectors



Product info support@visionhitech.co.kr
Marketing yht@visionhitech.co.kr